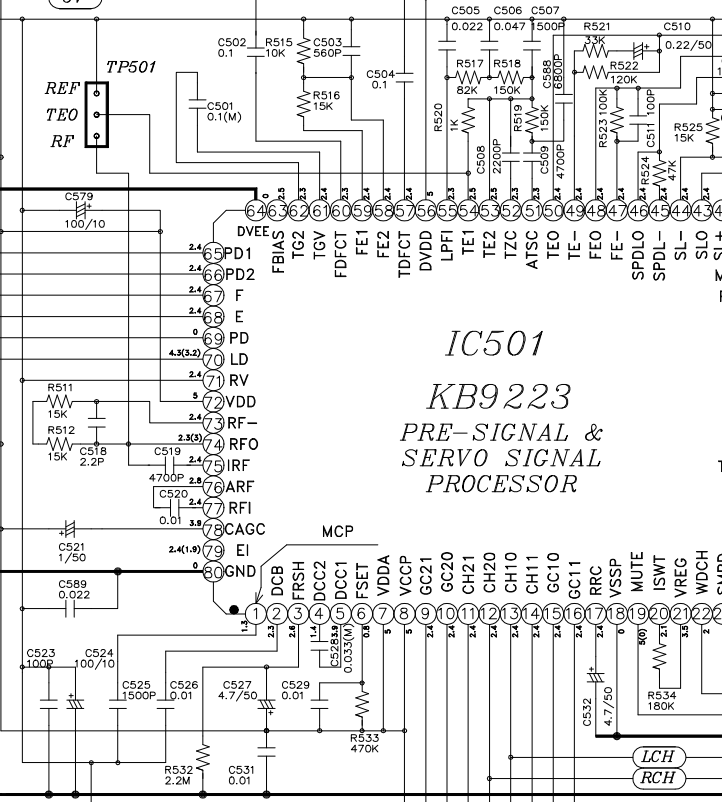
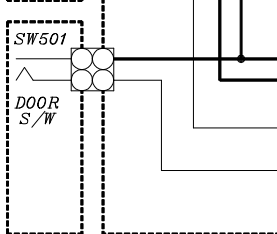
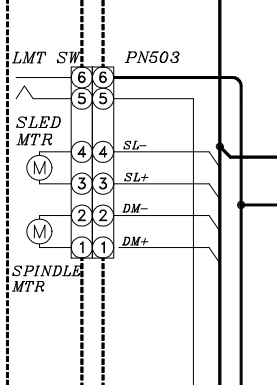
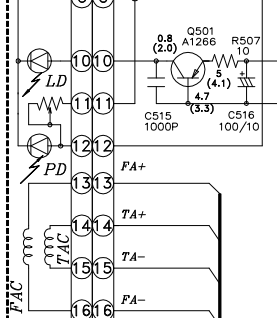
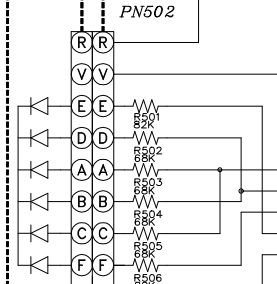
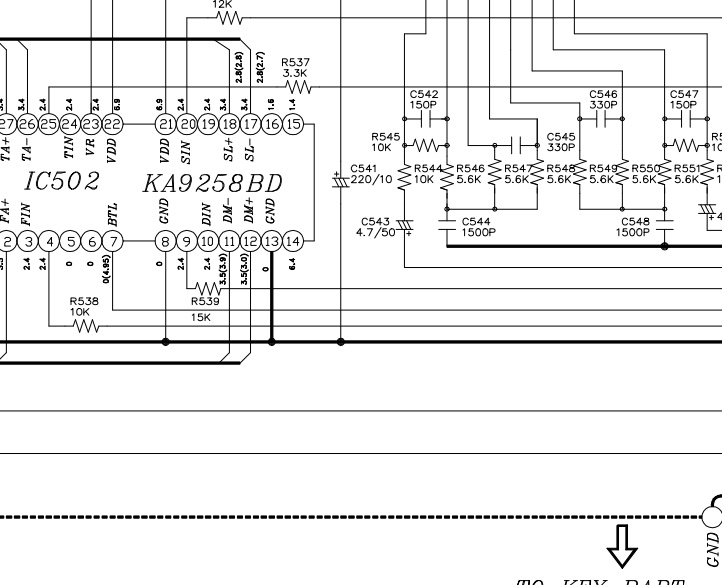


PCB : 41VAA

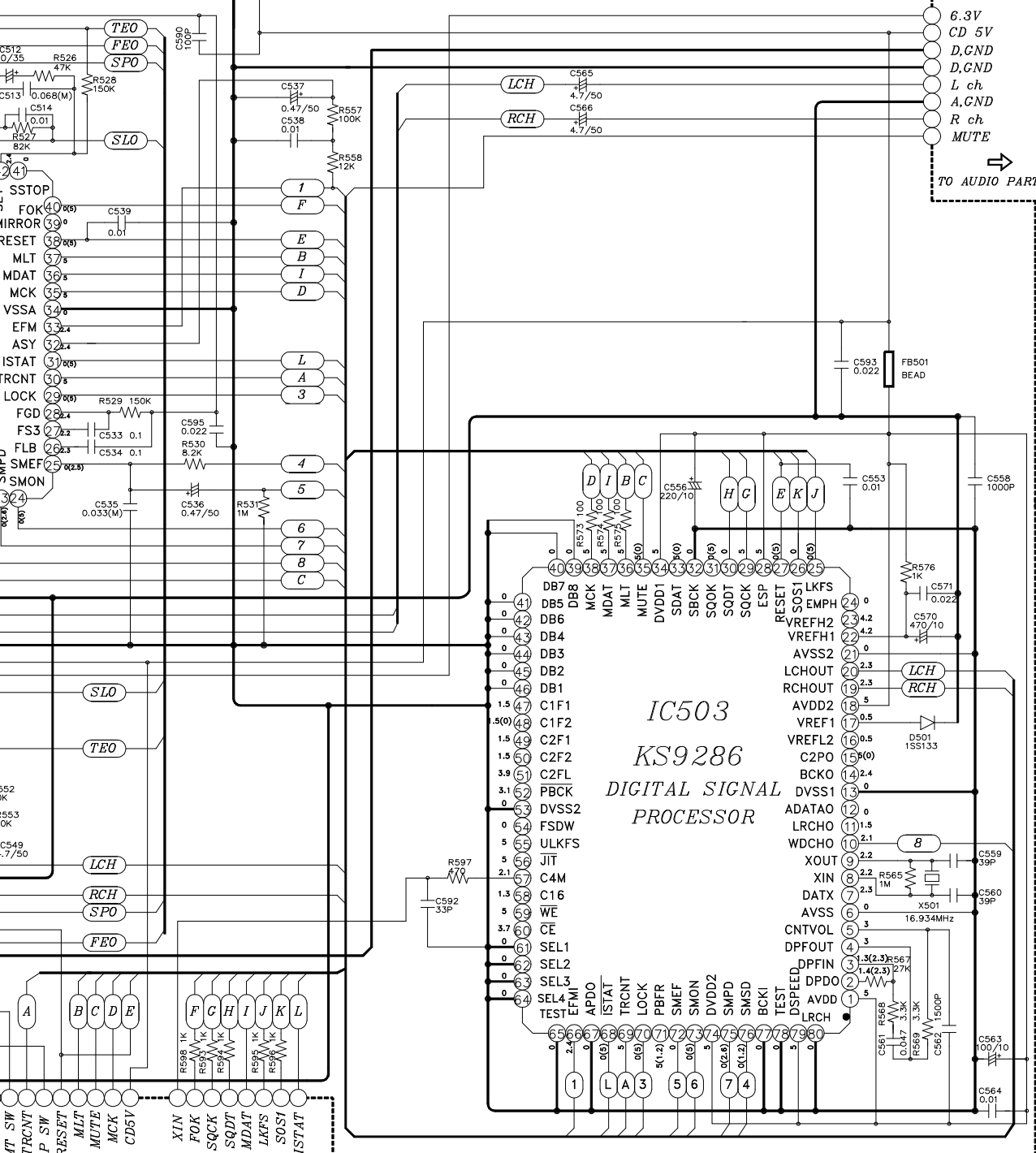
CMS-B31TC6



### IC501 KB9223 PRE-SIGNAL & SERVO SIGNAL PROCESSOR



### IC502 KA9258BD



### IC503 KS9286 DIGITAL SIGNAL PROCESSOR

- 6.3V
- CD 5V
- D.GND
- D.GND
- L ch
- A.GND
- R ch
- MUTE

TO AUDIO PART

TO KEY PART

- GND
- LMT SW
- TRCNT
- OP SW
- RSSET
- MLT
- MUTE
- MCK
- CD5V
- XIN
- FOK
- SQCK
- SQDT
- MDAT
- LKFS
- SOS1
- ISTAT